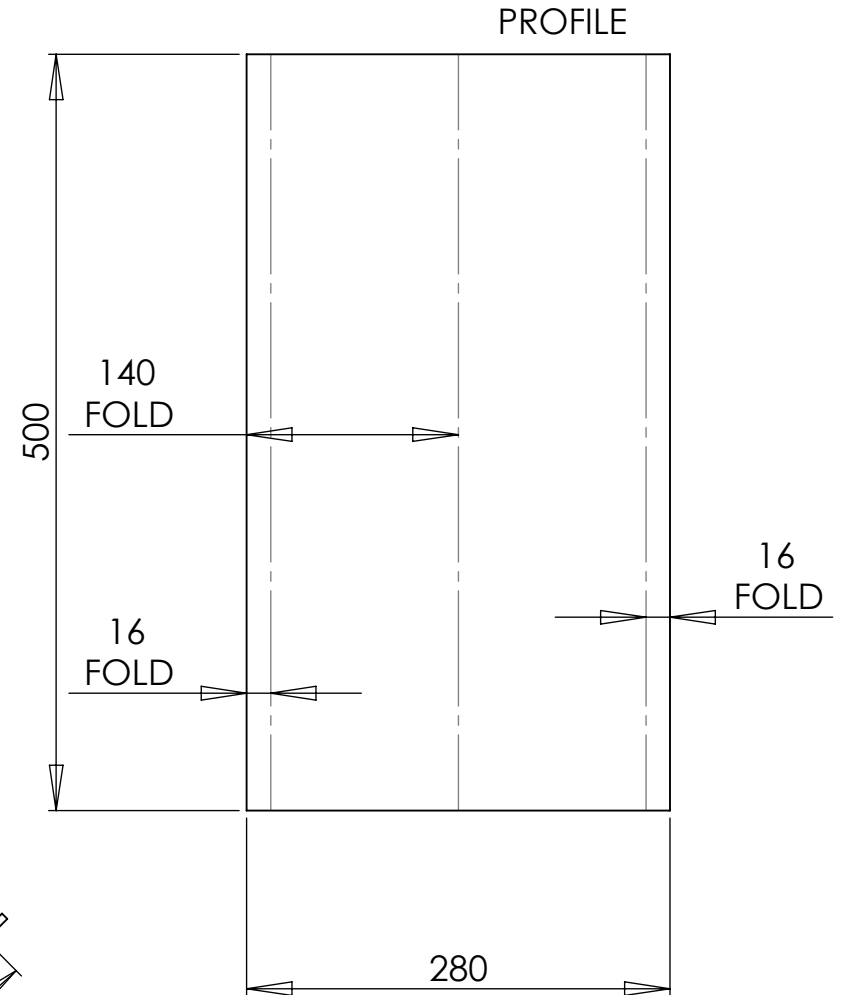
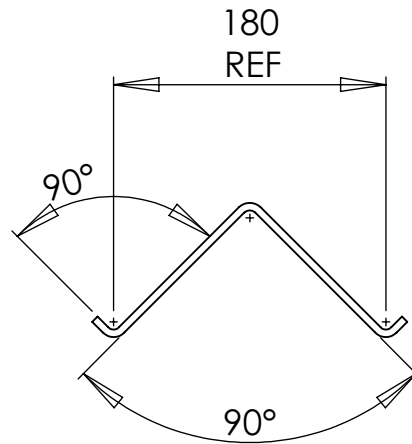
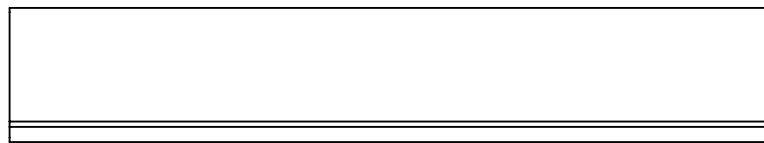
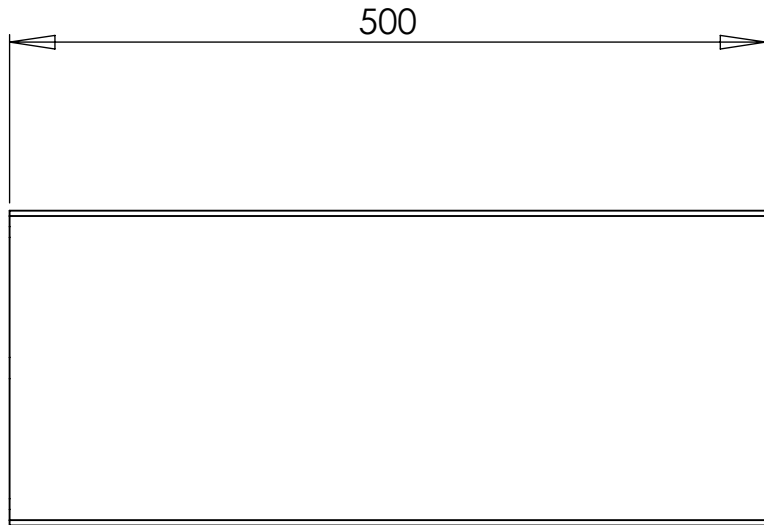
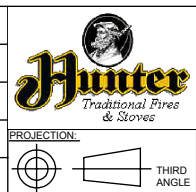


DO NOT SCALE

IF IN DOUBT - ASK!



A	NEW DRAWING
ISSUE	DESCRIPTION



HUNTER STOVES LIMITED, UNIT 6, OLD MILL IND. EST. STOKE CANON, EXETER, DEVON, EX5 4RJ

Tel: 01392 841744  
Fax: 01392 841382

THIS DRAWING IS THE PROPERTY OF HUNTER STOVES LIMITED AND IS PROTECTED BY COPYRIGHT. IT IS ONLY DISCLOSED ON CONDITION THAT IT WILL NOT BE COPIED OR REPRODUCED, USED FOR GIVING INFORMATION TO OTHERS, NOR USED FOR ANY PURPOSE DETRIMENTAL TO THE INTERESTS OF HUNTER STOVES LIMITED

MACHINING TOLERANCES (UNLESS STATED)

ONE DECIMAL PLACE..... ± 0.1mm  
1 - 100mm..... ± 0.25mm  
100 - 500mm..... ± 0.4mm  
ABOVE 500mm..... ± 0.75mm

SPECIFICATION AND SYMBOLS TO BS 308  
TAPPED HOLES OR THREADS - ISO MED. FIT  
ALL SHARP CORNERS TO BE REMOVED

MATERIAL	5mm M.S.PLATE
DRAWN BY	MJS
CHECKED	
SCALE	1:5
DATE	28/11/2004

TITLE

BAFFLE

DRAWING No. HHR08DS/005